

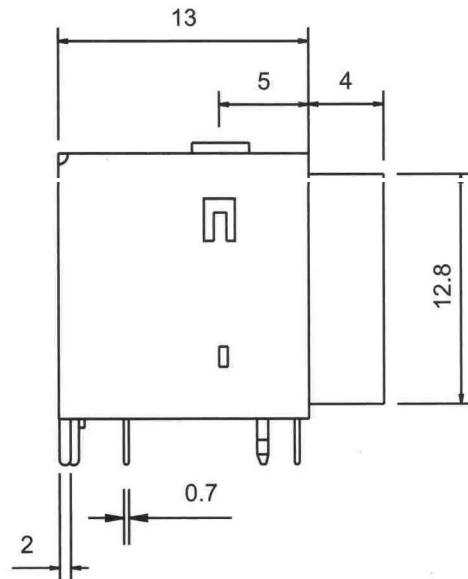
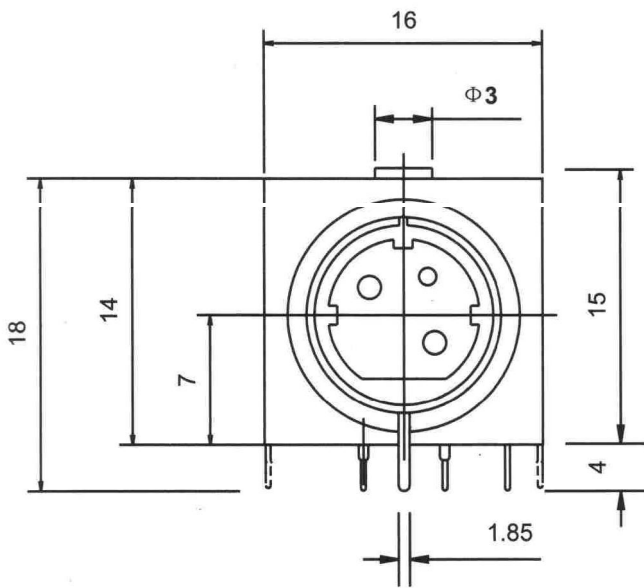
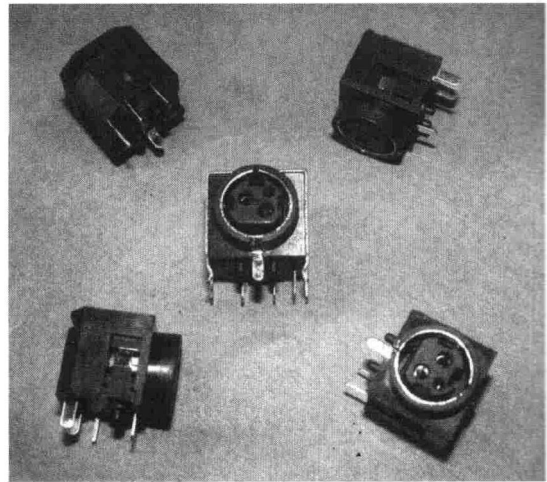
DIN JACK (R/ANGLE PCB MOUNTING FEMALE) MDP Series

Material & Finish

Insulator : PPO
 Center ground : Brass, Tin plated
 shell and contacts : Phosphor bronze, Ag Plated.

Specification

Voltage rating : DC 30V
 Current rating : DC 0.5A
 Contact resistance : 30m Ω max.
 Insulation resistance : 100M Ω min
 Withstanding voltage : AC 250V(50Hz)/min
 Temperature range : -25 $^{\circ}$ C - +70 $^{\circ}$ C
 Withdrawal force : 0.5 - 3Kgf
 Durability : 1000 cycles



Order Information

Series No .

MDP

Insulator Type

M

M: With Metal Shielded
 FM: Fully Shielded
 N: W/O Shielded

No. of Contacts

2+1

Mounting

H

H: Hook Metal
 T: Tongue Metal