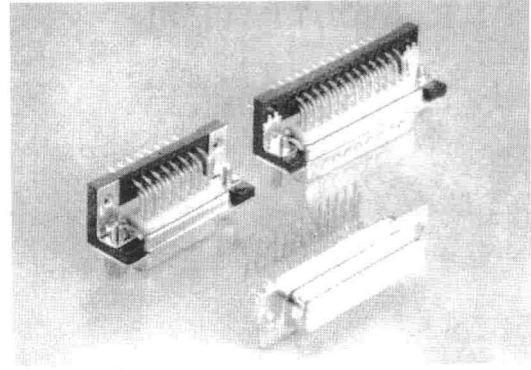


# D-SUB PCB RIGHT ANGLE CONNECTOR

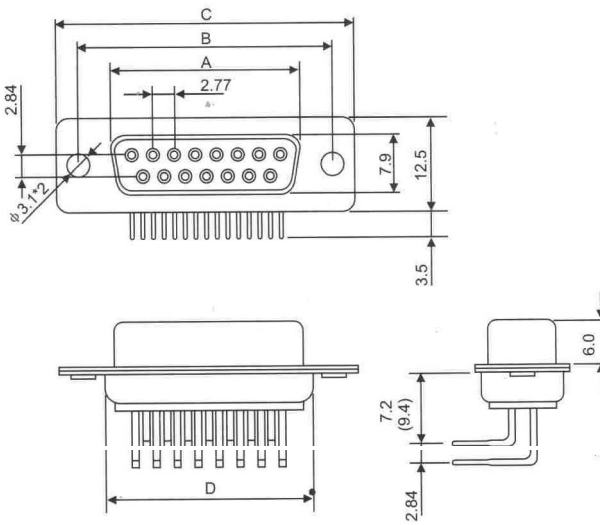
DRB Series

POSITION	A	B	C	D
9S	16.30	25.00	30.8	19.2
15S	24.60	33.30	39.3	27.7
19S	30.00	38.86	44.8	32.8
23S	35.30	44.30	50.3	38.3
25S	38.30	47.10	53.1	40.1
37S	54.80	63.50	69.4	57.3

POSITION	A	B	C	D
9P	16.92	25.00	30.8	19.2
15P	25.25	33.30	39.3	27.7
19P	30.60	38.86	44.8	32.8
23P	35.90	44.30	50.3	38.3
25P	38.96	47.10	53.1	40.1
37P	55.42	63.50	69.4	57.3

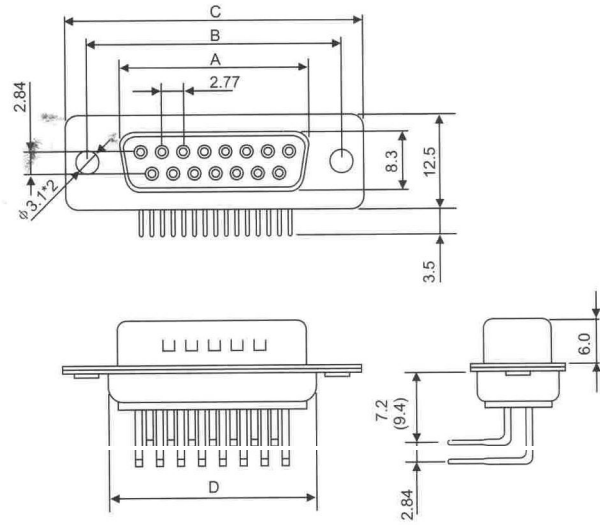


## FEMALE

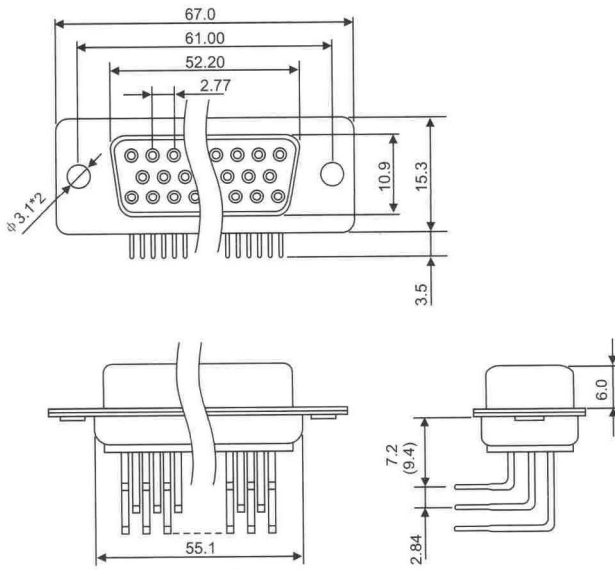


FEMALE

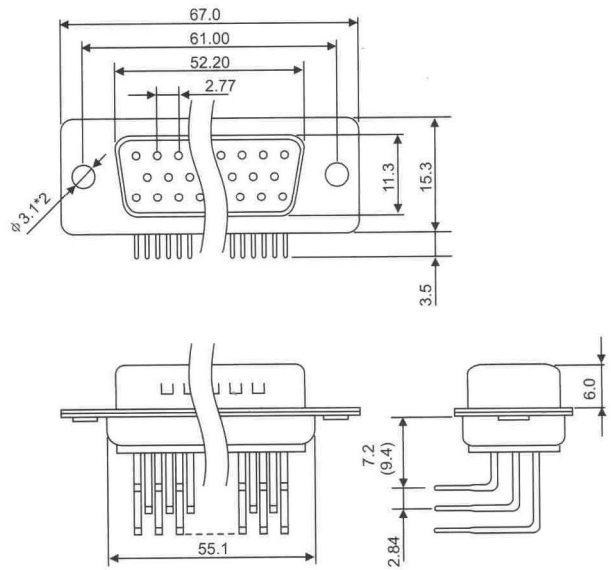
## MALE



MALE



50 POSITION FEMALE



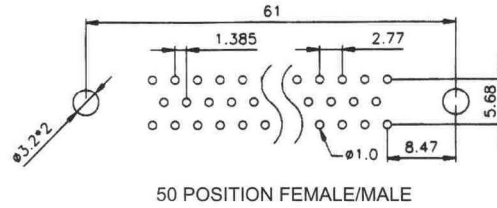
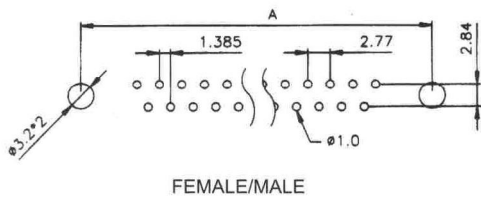
50 POSITION FEMALE

Unit:mm

# D-SUB PCB RIGHT ANGLE CONNECTOR

DRB Series

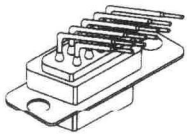
## P.C.B.LAYOUT PATTERN



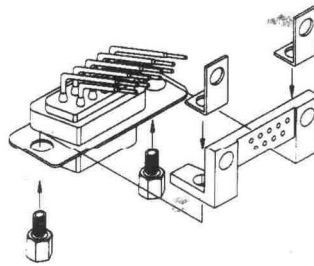
POSITION	A
9P	25.00
15P	33.30
19P	38.86
23P	44.30
25P	47.10
37P	63.50

unit=mm

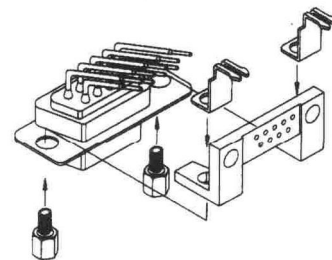
## PROCESS OPTION



WITHOUT BRACKET

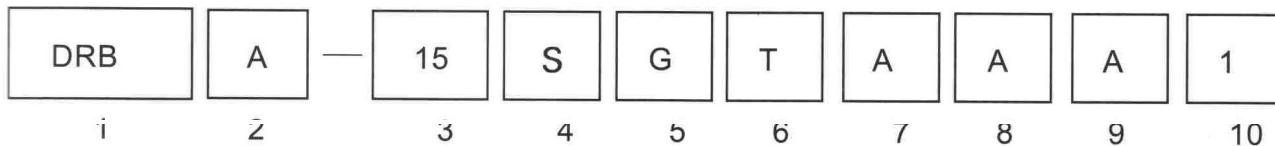


WITH BRACKET + L-SHAPE



WITH BRACKET + BOARDLOCK

## Order Information



### 1.SERIES NO .

DRB

B=10 μ "GOLD

C=15 μ "GOLD

D=30 μ "GOLD

A=NON ACCESSORIES

B=LOOSE HEX-SCREWS  
(4.8\*11.8mm)

C=FIXED HEX-SCREWS  
(4.8\*11.8mm)

D=LOOSE HEX-SCREWS  
(5.8\*12.0mm)

E=FIXED HEX-SCREWS  
(5.8\*12.0mm)

### 2.TYPE

A=FOOTPRINT 7.2mm

B=FOOTPRINT 9.4mm

### 6.SHELL PLATING

T=TIN

N=NICKEL

Z=ZINC

P=TIN+DIMPLE

Q=NICKEL+DIMPLE

### 9.CONTACT INSERTING OPTION

A=FULLY LOADED

### 3.CONTACT NUMBER

09 15 19 23 25 37 50

### 4.CONTACT TYPE

P=MALE

S=FEMALE

### 7.PROCESS OPTION

A=STANDARD W/O BRACKET

B=W/BRACKET + BOARDLOCK

C=W/BRACKET + L-SHAPE

### 10.INSULATOR COLOR

1=WHITE

2=BLUE

3=BLACK

4=GREY

### 5.CONTACT PLATING

G=GOLD FLASH

A= 5 μ "GOLD

### 8.PARTS OPTION